

The supplier acknowledges that, with the acceptance of the drawings, he is in a position to manufacture the illustrated part in accordance with the drawings in reproducible form and series production. Through the selected manufacturing processes in components, which will arise in the material and structure which could subsequently lead to an impairment of the components. Verbal agreements over and above that are not valid. Deviations from this rule must be written and must be signed by the purchaser.

Technische Daten/  
technical data : Akkupack/  
battery pack  
Chemie/  
chemistry : Lithium Ion  
Zellenzahl/  
no. of cells : 4 Zellen/ cells ; 2S2P  
Zellentyp/  
cell type : ICR18650 LGC B4  
Kapazität/  
capacity : nom. 5200mAh discharge at 0.2C  
min. 5000mAh discharge at 0.2C  
ta:20°C; EV(Discharge End Voltage): 2.75V per cell

Innenwiderstand/  
impedance : < 100mOhm (battery and safetyboard)

Nominalspannung/  
nominal voltage : 7.4V

Standard Ladespannung/  
standard charge voltage : 8.4V±1%

Standard Entladespannung/  
standard discharge voltage : 5.5V

Nominaler Ladestrom/  
nominal charge current : 0.5C

Maximaler Ladestrom/  
maximum charge current : 5000mA (limited by safetyboard)

Ladeendstrom/  
charge end current : 0.01C recommended

Maximaler Entladestrom/  
maximum discharge current : 5000mA (limited by safetyboard)

Anwendungstemperaturbereich/  
ambient temperature range : 0°C...+45°C charge  
-20°C...+60°C discharge  
-20°C...+30°C storage max. 1 year  
-20°C...+45°C storage max. 3months

Selbstentladung/  
self discharge : ≤ 5% / month at20°C  
≤ 10% / month at30°C  
≤ 20% / month at40°C

Standards/  
 : UN 3480, Subsection 38.3  
All cells and battery packs type tested according to UN manual of test and criteria subsection 38.3

Technische Daten/  
technical data : Sicherheitsschaltung/  
safety board

Überladeschutzspannung/  
over charge voltage detection : 4.3V±25mV per cell

Wiedereinschaltspannung/  
over charge release voltage : 4.1V±50mV per cell

Entladeabschaltspannung/  
over discharge detection voltage : 2.4V±50mV per cell

Wiedereinschaltspannung/  
over discharge release voltage : 2.8V±250mV per cell

Nominaler Lade/Entladestrom/  
nominal operating current : 5A

Entlade Abschaltstrom/  
discharge cut off current : 13A± 3A

Kurzschlusschutz/  
short circuit protection : gegen äußeren Kurzschluss/  
against external short circuit

Temperaturumschalter/  
temperature switch : ---

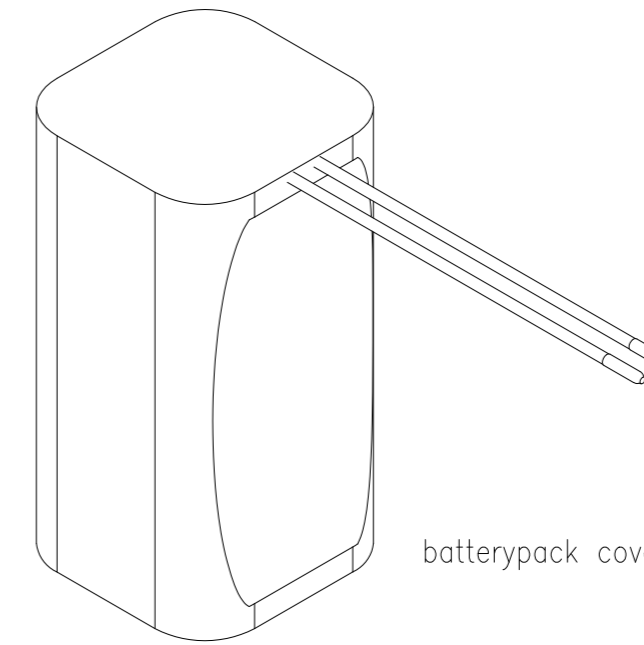
MOSFET : in Masse  
in Gnd

Rückstellkriterium/  
release condition : Last trennen, Aktiv nach Anladen/  
cut load, release after charging up

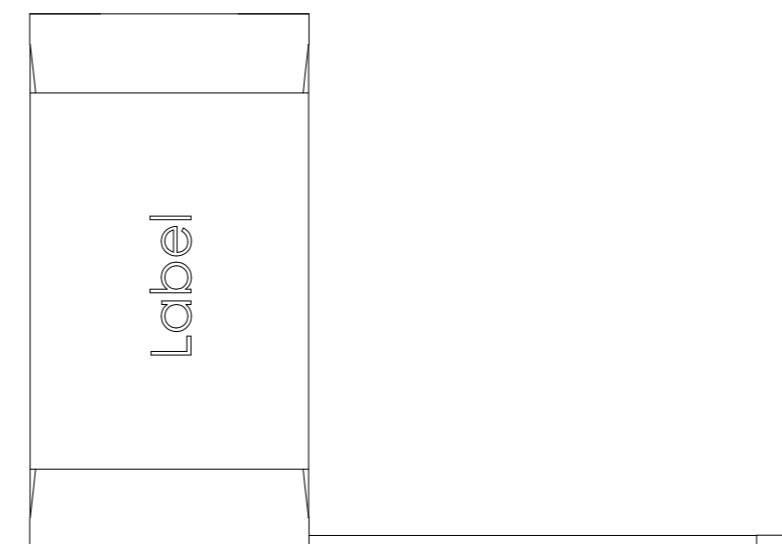
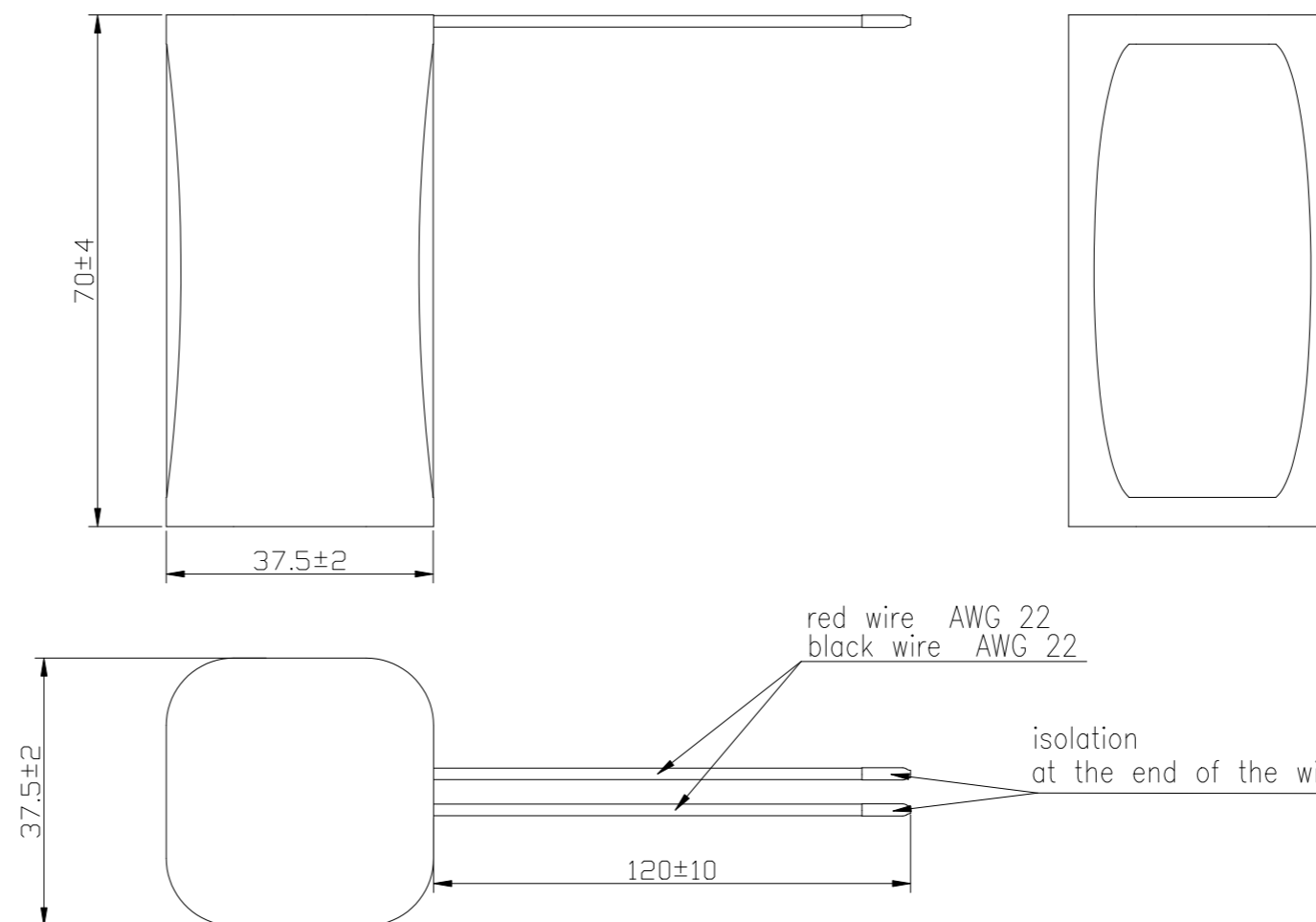
Nettogewicht/  
net weight : 196g

Leiterplattenmaterial/  
pcb material : FR4

Standards : CE



batterypack covered with 2 layers of blue shrinktube



Verwendungsbereich/Application range für Anfrage/for inquiry IS-2013-0014.30		Zul. Abweichung/ Allowable deviation	Oberfläche/ Surface	Maßstab/Scale (DIN A2): 1:1	Gewicht/Weight
		Allgemeintoleranz DIN ISO 2768-m		Werkstoff/Work material, Modell-Nr.	
		2013	Datum/Date Name	Zeichnungsname/Drawing name	
		Erstellt/ Drawn by	23.10.	JE	Li-Ion Battery 7.4V 5200mAh with safetyboard
V1	change request: DE-15-0022	15.01.16	MSJ	Zeichnungsnummer/Drawing number	
VO	technical data corrected	24.06.15	JH	Artikelnummer/Part number	
VO	Label added in drawing	25.06.14	EGall	2447-3049-01	
Version	Anderung/Change	Datum/Date	Name	Ursprung/Origin Proj. IS-2013-00430	Ersatz für/Replaced by
				Ersatz durch/Replacement through:	Blatt/ Sheet 1

