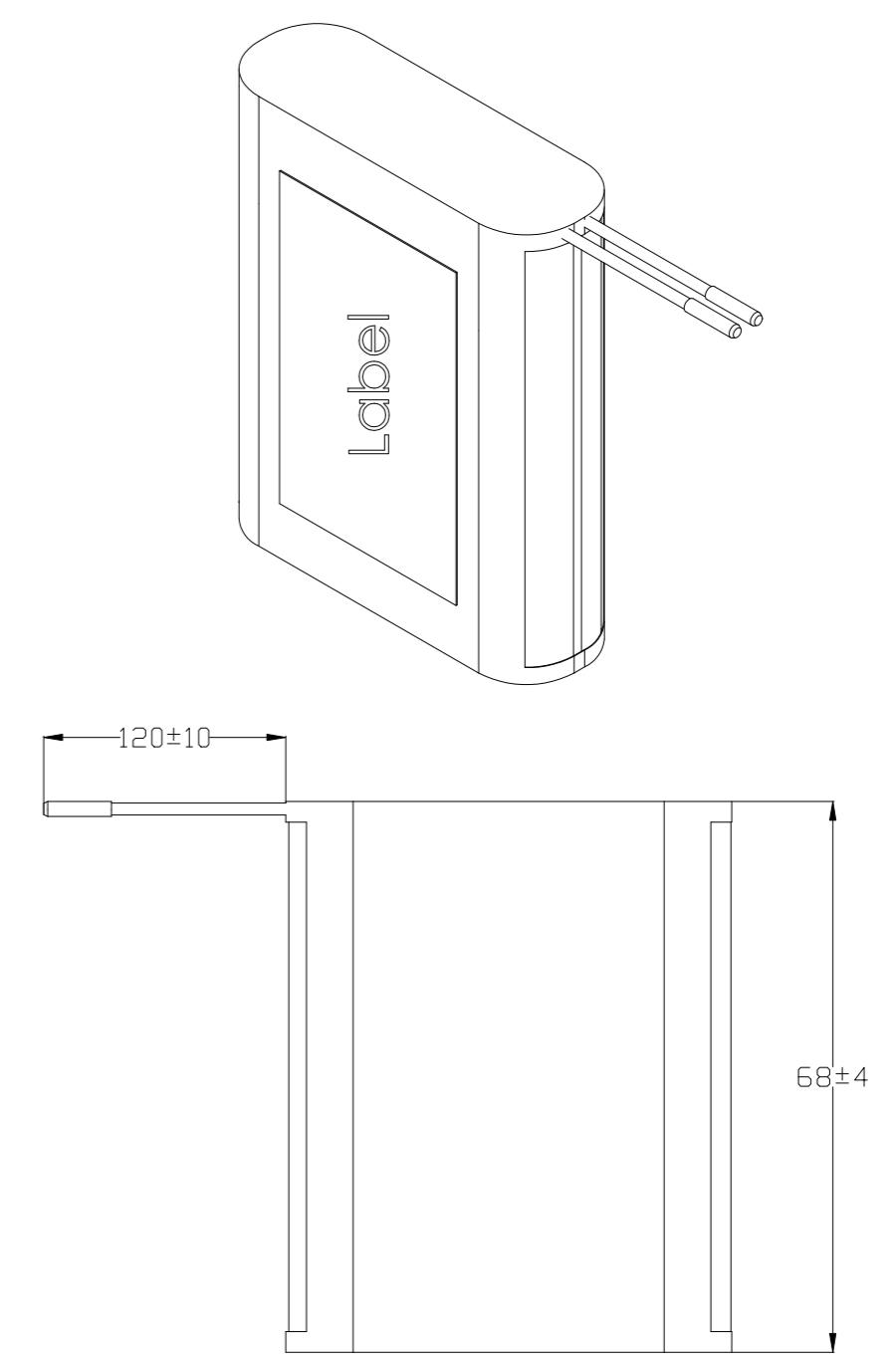
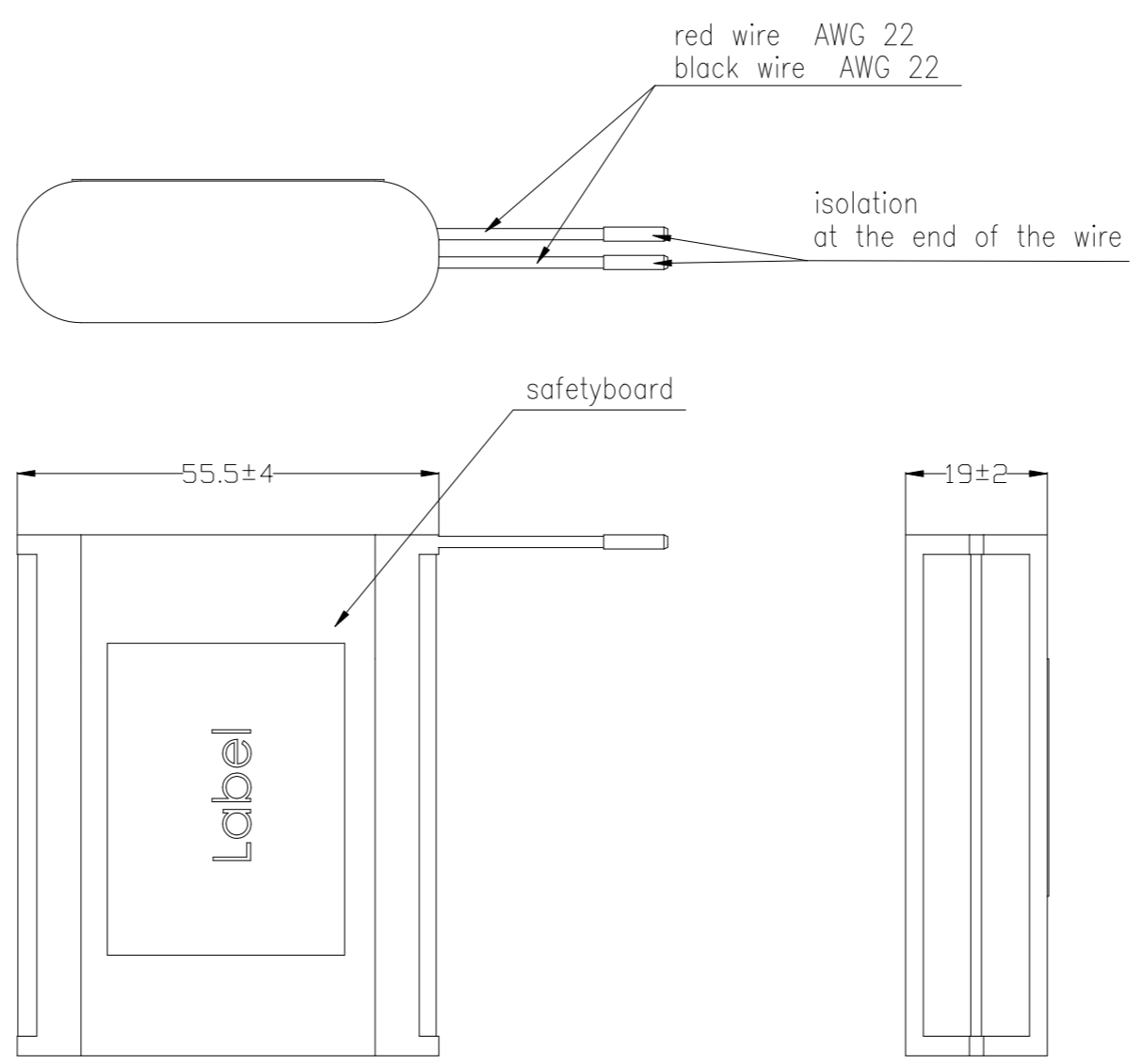


The supplier acknowledges that, with the acceptance of the drawings, he is in a position to manufacture the illustrated part in accordance with the drawings in reproducible form and series production. Through the selected manufacturing processes no impairments will arise in the material and structure which could subsequently lead to an impairment of the components. Verbal agreements over and above those are not valid. Deviations from this rule must be written and must be signed by the purchaser.

This drawing may not be copied, reproduced, modified, or disseminated in any form without the written approval of the supplier.

- Technische Daten/
technical data : Akkupack/
batterypack
- Chemie/
chemistry : Lithium Ion
- Zellenzahl/
no. of cells : 3 Zellen/ cells ICR18650 LGC B4 ; 1S3P
- Kapazität/
capacity : nom. 7800mAh discharge at 0.2C
min. 7500mAh discharge at 0.2C
ta:20°C; EV(Discharge End Voltage): 2.75V per cell
- Innenwiderstand/
impedance : < 70mOhm (battery and safetyboard)
- Nominalspannung/
nominal voltage : 3.7V
- Standard Ladespannung/
standard charge voltage : 4.2V±1%
- Standard Entladespannung/
standard discharge voltage : 2.75V
- Nominaler Ladestrom/
nominal charge current : 3000mA (limited by safetyboard)
- Maximaler Ladestrom/
maximum charge current : 3000mA (limited by safetyboard)
- Ladeendstrom/
charge end current : 0.01C recommended
- Maximaler Entladestrom/
maximum discharge current : 3000mA (limited by safetyboard)
- Anwendungstemperaturbereich/
ambient temperature range : 0°C...+45°C charge
-20°C...+60°C discharge
-20°C...+30°C storage max. 1 year
-20°C...+45°C storage max. 3months
- Selbstentladung/
self discharge : ≤ 5% / month at20°C
≤ 10% / month at30°C
≤ 20% / month at40°C
- Standards/ : UN 3480, Subsection 38.3
All cells and batterypacks type tested according
to UN manual of test and criteria subsection 38.3

- Technische Daten/
technical data : Sicherheitsschaltung/
safety board
- Überladeschutzspannung/
over charge voltage detection : 4.25V±25mV per cell
- Wiedereinschaltspannung/
over charge release voltage : 4.05V±50mV per cell
- Entladeabschaltspannung/
over discharge detection voltage : 2.5V±62mV per cell
- Wiedereinschaltspannung/
over discharge release voltage : 2.85V±250mV per cell
- Nominaler Lade/Entladestrom/
nominal operating current : 3A
- Entlade Abschaltstrom/
discharge cut off current : 8.5A± 2A
- Kurzschlusschutz/
short circuit protection : gegen äußeren Kurzschluss/
against external short circuit
- Temperaturumschalter/
temperature switch : ---
- MOSFET : in Masse
in Gnd
- Rückstellkriterium/
release condition : Last trennen, Aktiv nach Anladen/
cut load, release after charging up
- Nettogewicht/
net weight : 140g
- Leiterplattenmaterial/
pcb material : FR4
- Standards : CE



batterypack covered with 1 layer of blue shrinktube

Verwendungsbereich/Application range für Anfrage/for inquiry AN-IS-2013-00426		Zul. Abweichung/ Allowable deviation	Oberfläche/ Surface	Maßstab/Scale (DIN A2): 1:1	Gewicht/Weight	
		Allgemeintoleranz DIN ISO 2768-m		Werkstoff/Work material, Modell-Nr.		
		2013 Erstellt/ Drawn by	Datum/Date 23.10.	Name JE	Zeichnungsname/Drawing name Li-Ion Battery 3.7V 7800mAh with safetyboard	
		ANSMANN			Zeichnungsnummer/Drawing number Artikelnummer/Part number 2447-3034-01	Blatt/ Sheet 1
Version	Änderung/Change	Datum/Date	Name	Ursprung/Origin Proj. IS-2013-00426	Ersatz für/Replaced by	Ersatz durch/Replacement through:
V1	change request: DE-15-0022	15.01.16	MSt			